



AMERICAN ELM DISTRICT

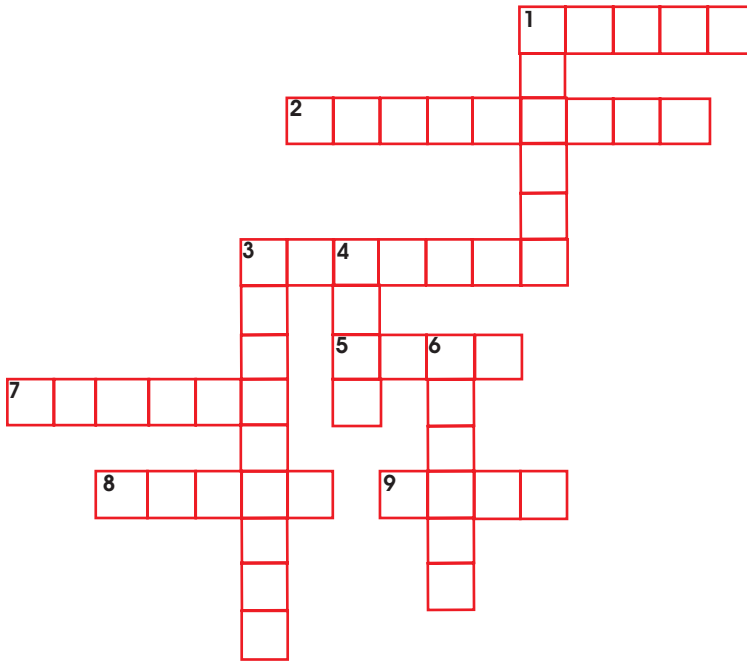


Volume 3, Issue 8
Oct. 14, 2004

Theme:

PRE OPENING ACTIVITIES Collections

Complete the puzzle using the clues shown below.



Across

1. You put it on an envelope to mail a letter.
2. What is on the top of soda bottles?
3. Little round glass objects.
5. Money is either paper or ?
7. Do you like to do a ?
8. If you are a Cub Scout you have a ? collection from all the events you have been to.
9. Trees shed their ?

Welcome to American Elm District Cub Scout
Roundtable Electronic edition
Webelos activity badges Craftsman and Scientist

Down

1. Found along the ocean beach.
3. You glue ? together and show them off.
4. Something hard in the dirt.
6. Bugs are called ?

Created with Discovery Channel School's PuzzleMaker.

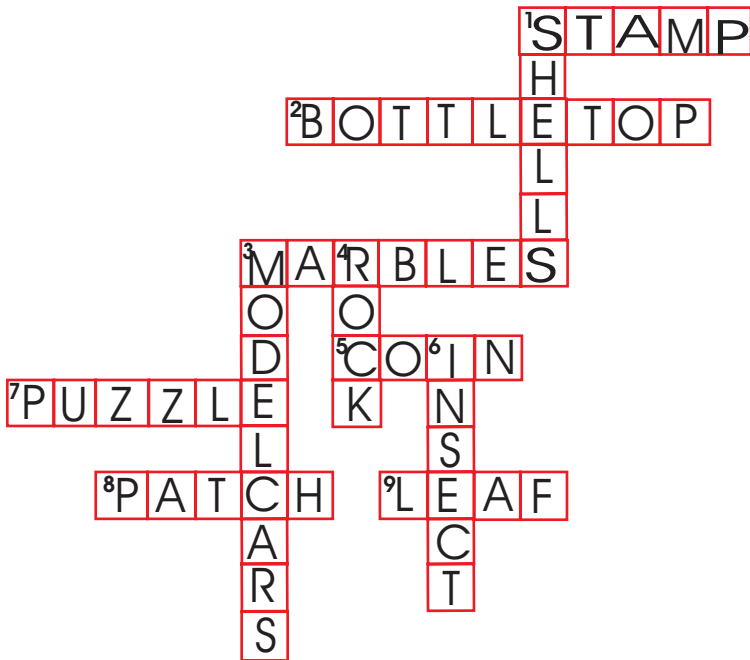
A Yummy Puzzler

Southern NJ Council & Baloo's Bugle

Have a collection of candy wrappers (or the real thing) and have people figure out what wrapper goes with which answer.

1. Greasy digits _____
2. A baseball player _____
3. A sarcastic laugh _____
4. One of Charlie Brown's girlfriends _____
5. A long run _____
6. A planet _____
7. Overweight _____
8. An author _____
9. A big mass of stars _____
10. What a worker looks forward to _____
11. Small Hills _____
12. The number before one _____
13. A famous trio of men _____
14. Definition of an object you can't identify _____
15. Mountain tops _____
16. The terminology of a body builder _____
17. The elite street in New York _____
18. A large sum of money _____
19. Pooh's favorite _____
20. A little laugh _____
21. A lazy cow _____
22. Feline nickname _____
23. Opposite of bad and few _____
24. Tumbling girl _____
25. Lazy Cowboy _____
26. African monkey parts _____

COLLECTION Answer



A Yummy Puzzler Answers

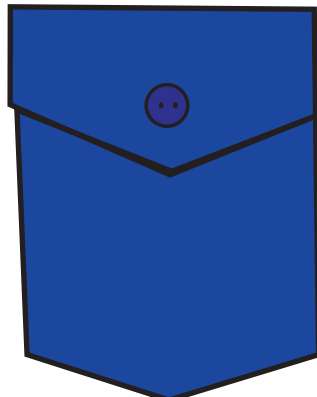
- | | | |
|---------------------|---------------------|------------------|
| 1. Butterfinger | 2. Baby Ruth | 3. Snicker |
| 4. Peppermint Patty | 5. Marathon | 6. Mars |
| 7. Chunky | 8. O'Henry | 9. Milky Way |
| 10. Pay Day | 11. Mounds | 12. Zero |
| 13. 3 Musketeers | 14. Whatchamacallit | 15. Snow Cap |
| 16. Crunch | 17. Fifth Avenue | 18. 100 Grand |
| 19. Bit-O-Honey | 20. Chuckles | 21. Milk Duds |
| 22. Kit Kat | 23. Good 'n Plenty | 24. Tootsie Roll |
| 25. Slowpoke | 26. Reese's Pieces | |

OPENING

Pocket Ceremony

Southern NJ Council

As we all know, most boys begin their collections in their pockets. Cub Scouts takes this a step further and uses to pocket on the uniform as a place to build a collection. Here is a pocket - a very plain pocket - not very interesting, and it could belong to anyone. But wait, let's give this pocket to a Cub Scout.



[Narrator places Bobcat badge on pocket.]



Our pocket is turning into something with meaning. It represents a sense of belonging and will soon bring our Cub Scout knowledge, skills, enjoyment and good fellowship. We would like to present the following boys and parents their Bobcat badge.

[Narrator places Wolf & arrows on pocket.]



With the Wolf rank, our pocket turns into something more special. It proudly displays the first symbol of new-found knowledge of the flag, of keeping strong, of tools, of knots of safety, of books and reading. It means our Cub Scout has mastered feats of fun. Tonight we are privileged to recognize the

following Cub Scouts who have achieved the rank of Wolf. Would the following Wolf candidates and their parents please come forward.

[Narrator places Bear & arrows on pocket.]



Adding the Bear badge has increased our pocket's meaning even more. It shows our Cub Scout is completing increasingly difficult achievements which show he is growing in knowledge and skill. Would the following Bear candidates and their parents please come forward.

[Narrator places Webelos and Arrow of Light on pocket.]



Our pocket has now had placed upon it the Webelos badge and Arrow of Light, the highest awards which our Cub Scouts can achieve. To receive these awards, our Cub Scouts must dedicate themselves to the hard work necessary in completing the required number of activity badges and prove themselves ready to join the ranks of Scouting. Tonight we wish to recognize these boys who have completed activity areas within the Webelos program. Will the following boys and their parents please come forward.

(With the Webelos Scouts together, a candle ceremony may be added at this time.)

Our pocket is very special now. It is very rich in new possibilities. It opens up a whole new world of challenges. Cub Scouting has taken our plain pocket, and turned it into a pocketful of adventure, fun, and excitement. Congratulations to all you boys and your parents on your achievements. **LEAD CHEER!!**

**Boys' Life Reading Contest
Enter the 17th Boys' Life
Reading Contest Now!**

Baloo's Bugle
Boys' Life Reading Contest Patches

COLLECT ALL FOUR!



Write a one-page report titled "The Best Book I Read This Year" and enter it in the Boys' Life 2004 "Say Yes to Reading!" contest.

The book can be fiction or nonfiction. But the report has to be in your own words 500 words tops. Enter in one of these three age categories: 8 years old and younger, 9 and 10 years old, or 11 years and older.

First-place winners in each age category will receive a \$100 gift certificate good for any product in the Boy Scouts Official Retail Catalog. Second-place will receive a \$75 gift certificate, and third-place a \$50 certificate.

Everyone who enters will get a free patch like the round one above. (The patch is a temporary insignia, so it can be worn on a Cub or Boy Scout uniform shirt. Proudly display it there or anywhere!) In coming years, you'll have the opportunity to earn the other patches.

The contest is open to all Boys' Life readers. Be

sure to include your name, address, age and grade on the entry.

Send your report, along with a business-size, self-addressed, stamped envelope, to:
Boys' Life Reading Contest, S306
P. O. Box 152079

Irving, TX 75015-2079

For more details go to www.boyslife.org

Entries must be postmarked by **Dec. 31, 2004.**

Surprise your teacher when you show them the patch you earned!

AUDIENCE PARTICIPATION

How To Build A Thingamajig
Southern NJ Council

Doodads: Clickety-clack, clickety clack

Dingford: Whiz, bang, boom

Freedistant: Whoosh, whoosh

Higoricky: Snap, crackle, pop

Scatereekus: All sounds together

Very few families these days can get by without a thingamajig. Sure you can buy one at the local hardware and appliance store, in all sorts of colors, sizes, shapes, makes and models, but as easy as they are to build yourself, you should just get a kit and put it together. Here are a simple set of instructions for building your own thingamajig...

The **DOODADS** of the thingamajig kit are stored in the bubble-wrap gizmo and are stapled with the purple assembly **DINGFORD** to the left-handed **FREEDISTANT**. The assembly **DINGFOR**

should be placed in an upright position on any corrugated doomaflatchy or **FREEDISTANT** to complete assembling the **DOODADS**. Carefully remove the gizmo from its containeration of the **DOODADS** from the **FREEDISTANT** and lay out the **DOODADS** in parallel with the assembly **DINGFORD** and assemble the **DOODADS** in the order listed. You will need two fringhoppers with a 4/3" gagglehump for the **HIGORICKY**, and you'll have to use penpoppers to complete the riggeration.

Using a witchifiggle, carefully punch 1/2" what-nots through the assembly **DINGFORD** and **FREEDISTANT**, where the **HIGORICKY** will attach. The what-nots are there to capitrate the hoosie **HIGORICKY** that will beefling the

DOODADS together.

Next frammis the chingus to the **FREEDISTANT**, making sure the whatchamacallits are catiwompus to the hootnanny and the **HIGORICKY**, as shown on the assembly **DINGFORD**. If it is reversed, the thingamajig will not work properly.

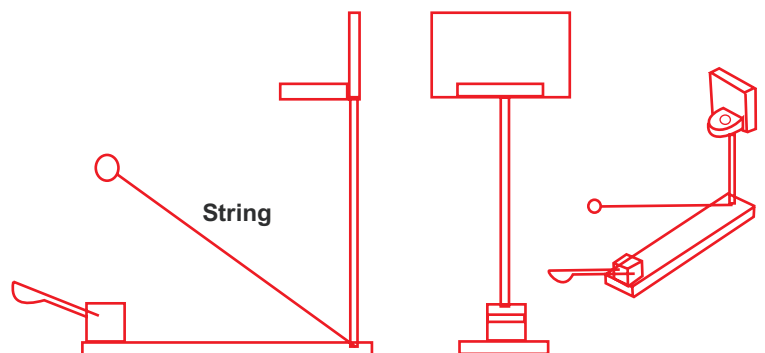
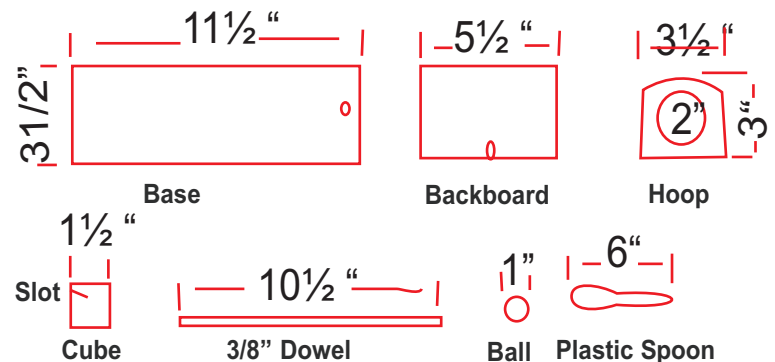
Tighten two fistaroud valves underneath the **FREEDISTANT** using the hickeys from the **DOODADS** to on from one doodad to the other. Now refracker a jigger to the the demisantis and the doorfunkey near the whatchamacallits. Put a dingus on each loose enough so that the thingamabob can discombobulate and rotate easily, or it might XXXX and fly off and hit someone in the doohickey.

That finishes the instructions. If you've followed them carefully, you should have a well running thingamajig. When you turn over the **SCATEREEKUS**.

SPORTS AND ACADEMICS

CataHOOPS

Cub-L



Instructions

1. Base, backboard and hoop are made from a 1"x4" board.
 2. Drill holes in base and backboard 3/8" diameter and 1/2" deep.
 3. Cut a slot at a 15 degree angle in a cube Block large enough for the handle of a plastic spoon.
 4. Cut hole for the hoop first; then finish cutting the hoop piece.
- (We used a slice of 2" diameter PVC pipe and screwed it into backboard.)**
5. Glue the hoop to the backboard; then glue dowel rod into backboard and base.
 6. Glue cube block to base and insert spoon into slot.
 7. Cut string and attach one end to dowel rod at base and the other end to any 1" sized ball

(Ping pong balls work well).

APPLAUSE

www.scoutxing.com

Bug Applause: When the leader waves hands (as if to "shoo" away a bee or mosquito, make buzzing sound (zzzzzzz). When leader finally slaps hands together (as in smacking the bug) everyone stops.

Bee Applause: Put arms out to sides pretending to fly, while saying "Buzz, buzz, buzz."

Ghost Cheer: Hold up hands as if to scare someone and say 'WHOOOOO-YOU! YOU WERE GREAT!'

Turkey Applause: Say, "Gobble, gobble, Gobble", then rub your stomach saying, "Yum, yum."

Politician Applause: Pat your self on the back.

Patriotic Applause: Shout: "U.S.A., U.S.A. Onward and upward, U.S.A." Stand up and salute.

Songs

Southern NJ Council

(Tune: Supercalifragalistic)

My Mother asked me one fine day just what I had inside.

My pockets were so very full, they bulged from side to side.

I told her that she didn't want to know the answer yet.

For they are special things to me, my lifelong super pets.

A rubber ball, a piece of string, a candy wrapper too.

Some bubble gum, a coke pop-top; Mom doesn't have a clue.

But buried deep inside my pants; my very dear close friend.

My horny toad will be my friend, until the very end.

People in a Family

www.scoutxing.com

(Tune: Supercalifragilisticexpialidocious)

Chorus:

People in a family should do a lot together,
In the house, or out-of-doors,
No matter what the weather,
Do not try to put it off,
It's either now or never
People in a family should do a lot together.

Mom and dad should take the time,
you will be glad you did,
To be a parent and a friend,
Do something with your kid.
One day they are tiny,
And the next day they are grown,
And before you know it,
You'll be living all alone.

Chorus:

Go to a museum, see a show, or ride a bike,
Try your hand at fishing,
Or try camping or a hike,
Swimming in a swimming pool,
Or skiing on the snow,
Lots of things that you can do
and places you can go.

Chorus:

Over the Freeway

Connecticut Rivers Council

Tune: Over the River

Over the freeway and through the smog
 To grandmother's house we go.
 My dad knows the way to drive around Thru the
 traffic that is slow--oh?
 Over the freeway and through the smog
 Drive fast my car of gray.
 I'm awfully hungry, ready to eat,
 For this is Thanksgiving Day!
 Over the freeway and through the smog
 And straight through the toll man's gate.
 We seem to be going ever so slow.
 It's so very hard to wait!
 Over the freeway and through the smog
 Now grandmother's house I spy.
 Hurrah for the fun Is the turkey done?
 Hurrah for the pumpkin pie!

ADVANCEMENT CEREMONIES

Pockets Advancement #2

Southern NJ Council

Young boys and pockets I don't think they can be separated. Pockets hold the treasures of life times, a yoyo, a shooter and four aggies, a few baseball cards, and a Canadian penny. When a boy walks home from school anything of interest goes in a pocket, stones, pine cones, nails, a rusty bolt. What neat stuff!

Unlike other boys pockets, the pockets of the Cub Scout's uniform can not only hold a lot of things, they are used to display a boy's accomplishments. Cub Scout achievements can be divided into four categories: God, country, family and self.

A boy can earn separate awards for all these areas:

For God, he can earn the emblem of his faith;
 For country, the World Conservation Award;
 For family, the Cub Scout Family Award;
 For self, the camp, special events, and sports program patches.

The most important part of this colorful shirt is the rank; Bobcat, Wolf, Bear, Webelos, and Arrow of Light.

Tonight we have someone/boys who has/have earned.....

Present awards to parents to give to boys.

Give boys and parents a round of applause for a job well done.

(Prepare pockets of blue paper with different emblems on them ahead of time and hold up as each is referenced in speech).

Ceremony Type: Multi Advancement

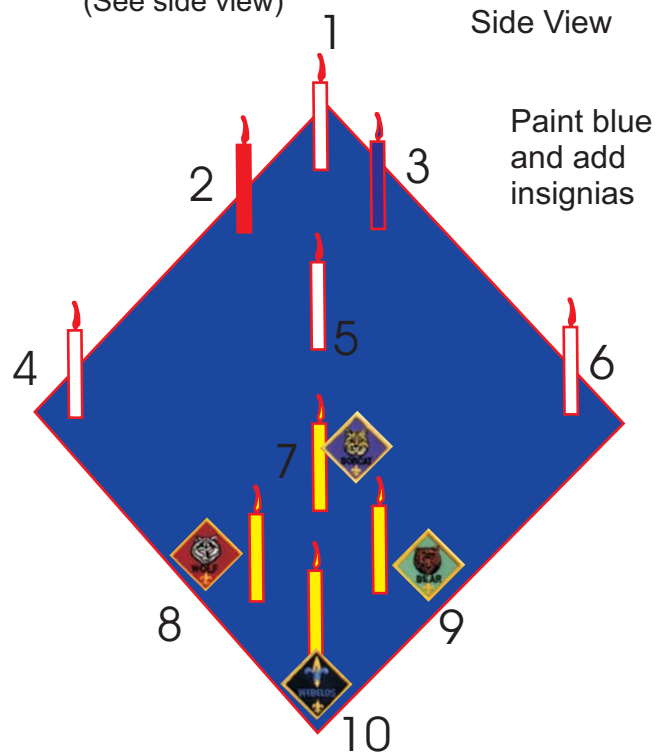
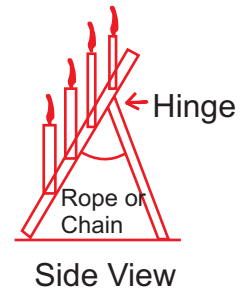
Bobcat Induction Ceremony

Baltimore Area Council

If you are going to make one of these, you'll probably want to copy the picture of the board and enlarge it Equipment:

Pack Ceremony Board

Cut board from 5/8" plywood. Drill holes to fit candles. Add hinged legs on back. (See side view)



- 1. White- **I Promise to do My Best**
- 2. Red- **To Help Other People**
- 3. Blue- **Obey the Law of the Pack**
- 4. White- **Cub Scout Follows**
- 5. White- **Cub Scout Helps**
- 6. White- **Cub Scout Gives**
- 7. Yellow- **Bobcat**
- 8. Yellow- **Wolf**
- 9. Yellow- **Bear**
- 10. Yellow- **Webelos**

Pack Ceremony Board with candles
 Personnel: Cubmaster, Bobcat candidates,
 parents Cubmaster:

The top three candles on our ceremony board represent the Cub Scout promise. This is a promise which binds all Cub Scouts together in a common goal. It is through this promise that we are guided and directed. I light the white candle which stands for "I promise to do my best." This is not always easy to do. Cub Scouts should do the best they can. I light the red candle which stands for the second part of the promise "To help other people." Helping others not only makes them happy, but it makes the Cub Scouts happy too. You help other people by doing a good turn each day. I light the blue candle, which stands for loyalty and obedience. The third part of our promise "Obey the Law of the Pack" means that you will follow Akela, who is any respected leader. You will be loyal to our Pack and make the best Pack in the country. You give good will, which means that your attitude of helpfulness and friendship can benefit other people as well as yourself. Together these three candles represent the Cub Scout Promise, (point to the white candle) I promise to do my best to do my duty to God and my country (point to the red candle). to help other people (point to the blue candle), and to obey the Law of the Pack. In the center of the board are three white candies representing the Law of the Pack. (Light the 1st candle.) The Cub Scout follows Akela. (Light 2nd candle.) The Cub Scout helps the Pack go; the Pack helps the Cub Scout grow. (Light 3rd candle.) The Cub Scout gives goodwill. These same three white candles represents the Cub Scouts loyalty to God, Home and Country ...when you give the Cub Scout salute, three of your fingers are hidden (show salute) and those three fingers stand for God, Home and Country. Please give the salute (they do) and remember the hidden meaning, The remaining candles stand for the ranks of Cub Scouting. We will light the Bobcat candle and additional candles as the other badges of rank are presented tonight. (Presents Bobcat badge to parents and boy. Handshakes and congratulations all around. Bobcats and parents return to seats.

) **Don't forget to check**
www.cubroundtable.com

Crafts

www.scoutxing.com

Rock Paperweights

Rocks are fun to collect, and these delightful creations are fun to give. Look for the best rocks that you can find, smooth, interestingly textured, shaped or colored, and get some glue paint, twine, eyes and other decorative materials.

Clean the rocks well. Choose a large rock for the basic body. Then either paint a face, picture or design on this rock and varnish, or choose smaller rocks to glue on as legs, head, eyes and ears. Paint and varnish. Pieces of yarn or string can be glued on for hair or tails.

Pocket Shrink Art

Use the pocket on the front of this newsletter! In the grocery store are many hard plastic containers. Most of them have a symbol in what type of plastic they are. (This symbol is found usually on the bottom in a triangle. Especially in the bakery section, watch for the 6 type of plastic. If you happen to buy something in this type of plastic, cut out the flat, clear parts and save it. This is shrink art plastic! Yes, you can buy it at craft stores, but that's no fun.

Besides, the boys only need pieces that are about 1" square. If you give him a 5" square, he'll do one thing right in the middle and it won't shrink as successfully, anyway.

1. Use "Sharpie" permanent marker pens to draw bugs, arrowheads, sport logos, their name in a shape, etc. Cut out the piece close to the picture. Hole-punch a hole in it if you want to.
2. Give each boy a 6" square of aluminum foil to place one cutout on. Place foil on a small cookie sheet. Put into a 250-degree oven or in a toaster oven set on "toast," Watch closely. Within seconds the piece of plastic will curl up and shrink. Then it will lay out flat again. Remove it from the oven. To flatten them even better, press down with the bottom of a drinking glass while it's hot.
3. Now make more things out of the scraps left over. How small can you make them and still see what it is? If you hole punch the item before

baking, you can string them together. But the most fun is just putting your microscopic collection in your pocket. It's your very tiny treasure!

Games

Pocket Kim's Game

For Pocket Kim's Game, have the boys empty their pockets on the table. If there aren't enough things on the table, have some pocket items to add; if there are too many, give back some of the repeat items. Give the boys a few minutes to study the collection and then cover them. Give each one a sheet to write out whatever he can remember. (Or, you can split the Den into teams and let them go after it that way

DOUBLE COIN BALANCE

Southern NJ Council

Ask someone to balance two coins on the rim of a glass at the same time, using only one hand. Here's how to do it: Stand the coins against the side of the glass. Push them up the side with thumb and forefinger. Carefully work the coins over the rim and balance them.

RING RACE

Connecticut Rivers Council

Equipment: Hula hoops, 1 per team.
Divide the group into teams. Have each team line up holding hands. Give a hoop to the person at the head of each line.. At "GO", teammates must pass the hoop along the line, stepping through the hoop and passing it overhead, without letting go of each other's hands. The team that passes the hoop from one end to the other first wins.

CLOSING CEREMONY

I Promise

(One boy steps forward and recites each line of the Cub Scout Promise. Another boy recites the accompanying verse)

I promise: An assurance I make, a pledge to do right. I keep it before me, a bright shining light.

To do my best: I promise to try, then folks will believe in me.

To do my duty to God: To God, the creator, I'm sure you will agree. So let's keep it always, the Land of the Free.

To help other people: If I am helpful, faithful, and just; then I'm deserving of everyone's trust.

And to obey the Law of the Pack: A guide for each day, as we go on our way. And a good one to know, as we follow and grow.

Education and Awareness on Allergies

Halloween can be a challenge for the 3 million children with food allergies who must carefully manage what they eat. The delicious candies and treats that fill the sacks of most children are potentially life threatening for kids who are allergic to common ingredients such as peanuts, tree nuts, or milk.

FAAN Food Allergy Anaphylaxis Network has a program called **Trick of Treat for Food Allergies**. Children receive bright yellow "Trick of Treat for Food Allergies" collection boxes along with instructions for participation in the program.

More info can be found at

<http://www.foodallergy.org/Support/Halloween.html>
[Http://www.foodallergy.org/Support/Halloween_SupportGroups.pdf](http://www.foodallergy.org/Support/Halloween_SupportGroups.pdf)

THINKING GAME WOOD PROJECT

Last Frontier Council

Have your boys make the following game to challenge their thinking skills. In addition to being a great woodcraft project, the game can also prove useful during the moments before the Den meeting begins when you need something to keep the gathering boys occupied.

MATERIALS:

5" Length of 1x6

9 Golf Tees

Template (and possibly Scissors and Ruler, see below)

Carpenter's Pencil

Hand Saw

Scratch Awl (or Nail and Hammer)

Hand Drill

5/32nd Drill Bit

Narrow Masking Tape

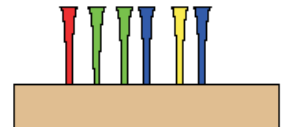
Scrap Wood (for drilling work surface)

Clamps

Sand Paper

Finish of choice (paint, stain, etc)

Paint Brush



INSTRUCTIONS:

21. Use the figure on the next page as a template to build this project. Provide a copy of the figure to each

boy or, better yet, make a reusable template out of heavy cardstock (or even of a thin sheet of wood such as "pressboard"). If the template is to be reusable, then it will be necessary to pre-drill holes where shown. However, if the template is thin paper, then it can be punched through with a nail or awl.

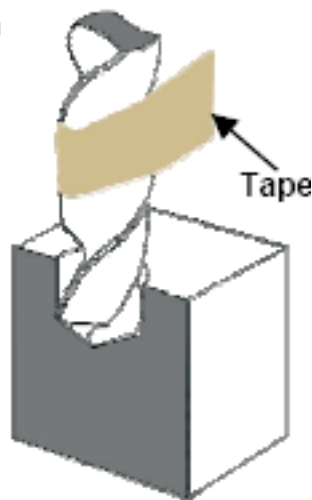
22. If the outer edges of the template are not already cut, do so at this time.

23. Lay the correctly shaped template on the piece of wood. Using a pencil (preferably a carpenter's pencil, which is larger and designed to write on wood), draw the outline of the template onto the work piece. If the template is thin paper, it may prove helpful to use a ruler laid over the template as each line is drawn.

24. Line up the template over the work piece, then use a nail or awl to mark each one of the drill holes. If using a nail, tap lightly with a hammer to mark each hole, then immediately pull out the nail. If using an awl, it should have a large, knobby end that can be pushed gently with the palm of the hand to make a mark in the wood. With a reusable template, there should be pre-drilled holes to mark. With a paper template, punch the paper through the center of each hole.

25. Clamp the work piece to a suitable work surface, then use a hand saw to cut out the triangular shape of the work piece.

26. Using a ruler, measure from the tip (drilling end) of a 5/32nd inch drill bit up 1/2 inch. Apply a piece of narrow masking tape at this point, leaving a "tail". See the figure. This will mark how shallow (deep) the drill holes should be.



27. Place the work piece onto a work surface that would be okay if it had an inadvertent hole drilled in it ☺
A piece of scrap wood should do just fine. Clamp all of this together to the work surface so

That nothing will rotate as the holes are drilled.

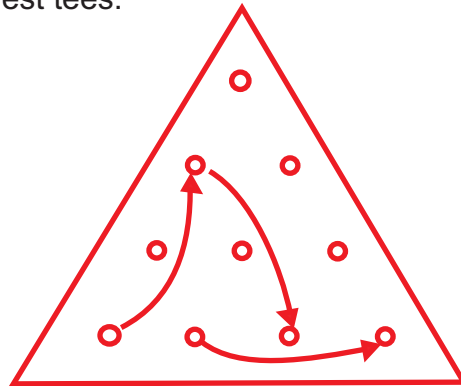
28. Using a 5/32nd inch drill bit and a hand drill, drill the ten holes that have been marked. Each hole should be made until the "tail" of the masking tape starts to contact the top of the work piece.

29. Sand and finish the final work piece, as desired.

TO PLAY

30. Insert nine tees into nine holes in the game; leave one empty (player's choice).

31. By hopping (checker's fashion) over one tee at a time, then removing the tee that was hopped, attempt to hop over a tee until there is only one golf tee remaining. The arrows on the template show some legal hops. The game ends when there are no legal hops left. Winner leaves the fewest tees.



MORSE CODE SENDER

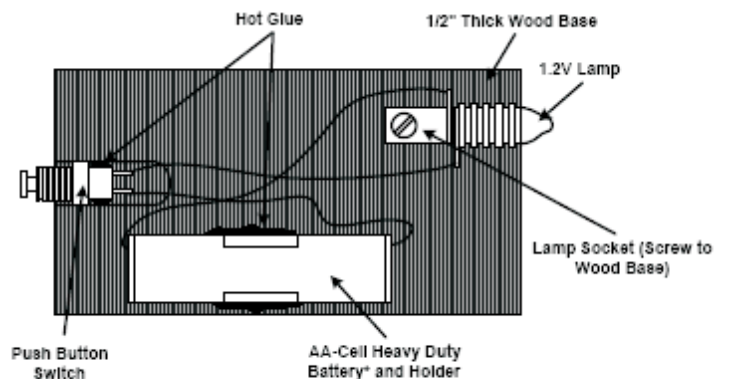
Last Frontier Council

1. Cut a 1" x 2" piece of wood into a 3" length. Refer to the drawing on the next page as required.

- Route (adult) or chisel (boys) a groove into the hole that fits the selected pushbutton switch.
- Drill a hole into the board to accept a wood screw (slightly smaller than the screw) to hold the lamp socket.

Cut a piece of #22 wire about 3-4" long. The other two wires should come with the Battery Holder.

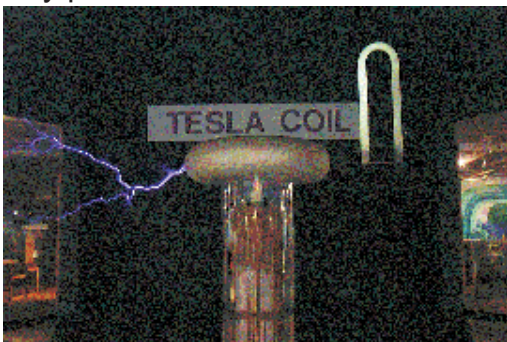
- Wire the circuit as shown above.
- Solder the wires in place (adult who should use proper eye/respiratory protection).
- Lay the components out on the wood and hot glue and screw in place (see drawing).
- Insert the battery and start sending Morse code (or just play Flashlight War!).



*Use only a battery labeled "Heavy Duty". Alkaline, etc. batteries will burn out the lamp in a few minutes.

Do the Balancing Forks Experiment (see below)

Materials: Two table forks, a drinking glass and a coin chosen for its size. Procedure: Point the prongs of the forks in an inward direction and thrust them together so that they are interlocked. Press a coin between the upper prongs from the inner side. Rest the coin on the far side of the glass rim so the handles of the fork extend in your direction. By properly adjusting the forks, you can make the coin balance on its side, keeping the forks balanced on it. Explanation: The handles of the forks counterbalance the coin and prongs. Precarious as it looks, it is like adjusting weights on an ordinary pair of scales.



Welcome to the premier interactive science center in Oklahoma! The Hands-On Science Museum at Omniplex has over 350 hands-on exhibits and an array of educational programs designed to enlighten, entertain and educate the entire family. The museum's exhibits are grouped around science themes such as: Perception, Light, Sound, Life Sciences, Energy, Meteorology, Math, KIDSPACE, Physics, Agriculture and Nutrition. Omniplex has a "please touch" policy in this museum and welcomes curiosity from kids of all ages
<http://www.omniplex.org/html/hands-on.html>



Check out their seismograph!

Have Fun! Till next month.



WEB SITES

These sites are current as of 10/1/04

[Http://www.42explore.com/treesforests.htm](http://www.42explore.com/treesforests.htm)

[Http://www.inspire.net/trees/index.html](http://www.inspire.net/trees/index.html)

[Http://www.abcteach.com/directory/theme_units/science/trees/](http://www.abcteach.com/directory/theme_units/science/trees/)

For information on trees and leaves.

[Http://www.units.muohio.edu/dragonfly/](http://www.units.muohio.edu/dragonfly/)

Great site for kids to learn about the world around them.

[Http://www.birdsource.org/](http://www.birdsource.org/)

Bird info

[Http://www.niehs.nih.gov/kids/home.htm](http://www.niehs.nih.gov/kids/home.htm)

Songs, games, riddles, jokes kids will have a ball here.

[Http://www.planetpals.com/index.html](http://www.planetpals.com/index.html)

Learn about the planets

<http://www.slylockfox.com/>

Go to the arcade and find the differences in the cartoon pictures, play weirdly checkers, or try some of the brainbogglers!

<http://spaceplace.nasa.gov/en/kids/>

A NASA site for grade school children that demonstrates and explains scientific concepts related to astronomy in a fun, hands-on manner! Learn about such topics as stars, the earth, ions, and interferometry by baking cookies, navigating a maze, and solving space riddles. And don't miss the Space Science (NIEHS) Site !

<http://whale.wheelock.edu/Welcome.html>

Educational website focusing on whales and marine research.

[Http://yucky.kids.discovery.com/](http://yucky.kids.discovery.com/)

What makes the human body work? Follow Wendell the Worm to explore the gross body functions (like earwax, sweat, zits, and dandruff!) and to find out what causes them and how to deal with them.

[Http://www.teachingheart.net/halloweencrafts.html](http://www.teachingheart.net/halloweencrafts.html)

Halloween Crafts To Do With Your Class

[Http://www.fabulousfoods.com/holidays/halloween/costumes/box.html](http://www.fabulousfoods.com/holidays/halloween/costumes/box.html)

Halloween costumes made with pain and cardboard boxes.